

## 2W Series 2/2-Way Direct Acting Solenoid Valve • Normally Open

### Characteristics

Normally open, open when de-energized,  
 closed when energized  
 Body material: forged brass  
 They are capable of operating at zero differential pressure  
 Available voltage: AC110v/220v 50/60Hz DC24v  
 Voltage tolerance: +10% to -10% applicable voltage

### Inapplicable Fluids

Fluids that will turn to liquid after being heated and  
 become solid after being cooled  
 Strong corrosive fluids  
 Fluids that have kinematic viscosity over: 50CST

### Attention

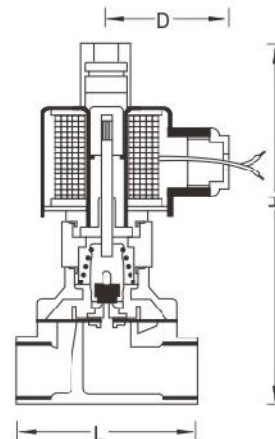
Make sure the pipe is clean before installing  
 Pls fix a Y frame filter in front of the solenoid valve,  
 for longer life-span



### Technical Parameter (Female Thread)

Model Code	L mm	H mm	Pipe Size	Weight (KG)
2W04C-10BH	52.5	115	3/8"	0.8
2W16C-10BH	69	135	3/8"	1.2
2W16C-15BH	69	135	1/2"	1.1
2W20C-20BH	73	142	3/4"	1.3
2W25C-25BH	99	150	1"	1.7
2W35C-35BH	112	186	1 1/4"	2.6
2W40C-40BH	123	197	1 1/2"	3.3
2W50C-50BH	168	225	2"	4.9

### Construction Dimensions Chart



### Specifications

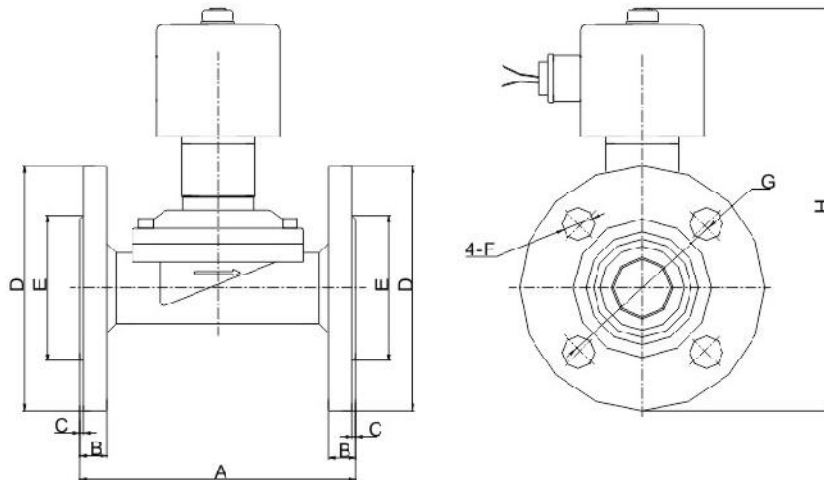
Model Code	2W025-06BH	2W025-08BH	2W040-10BH	2W160-10BH	2W160-15BH	2W200-20BH	2W250-25BH	2W350-35BH	2W400-40BH	2W500-50BH
Fluid Media	Air, Water, Oil, Gas									
Operating Mode	Direct Acting									
Type	Normally Open									
Orifice	2.5	4	16	20	25	32	40	50		
Cv Rating	0.23	0.6	4.8	7.6	12	24	29	48		
Pipe Size	1/8"	1/4"	3/8"	3/8"	1/2"	3/4"	1"	1 1/4"	1 1/2"	2"
Viscosity	Under 20CTS									
Operating Pressure	Water:0~7 Air:0~7 Oil:0~5									
Fluids Temp.	-5~80°C									
Available Voltage	± 10%									
Body Material	S.S.304									
Seals Material	NBR or VITON									

# Sanlixin Solenoid Valve

## 2W Series 2/2-Way Direct Acting Solenoid Valve • Normally Open



### Construction Dimensions Chart



Model	A	B	C	$\phi D$	$\phi E$	$\phi F$	$\phi G$	H	Weight (KG)
2W160-15FBH	108	12	2	95	45	4-14	65	162	1.95
2W200-20FBH	108	12	2	102	56	4-14	75	165	2.15
2W250-25FBH	140	14	2	115	62	4-14	85	160	3.1
2W350-35FBH	152	15	2	135	76	4-18	100	230	5.4
2W400-40FBH	152	15	2	145	84	4-18	110	240	6.4
2W500-50FBH	195	16	2	160	98	4-18	125	270	8.6