

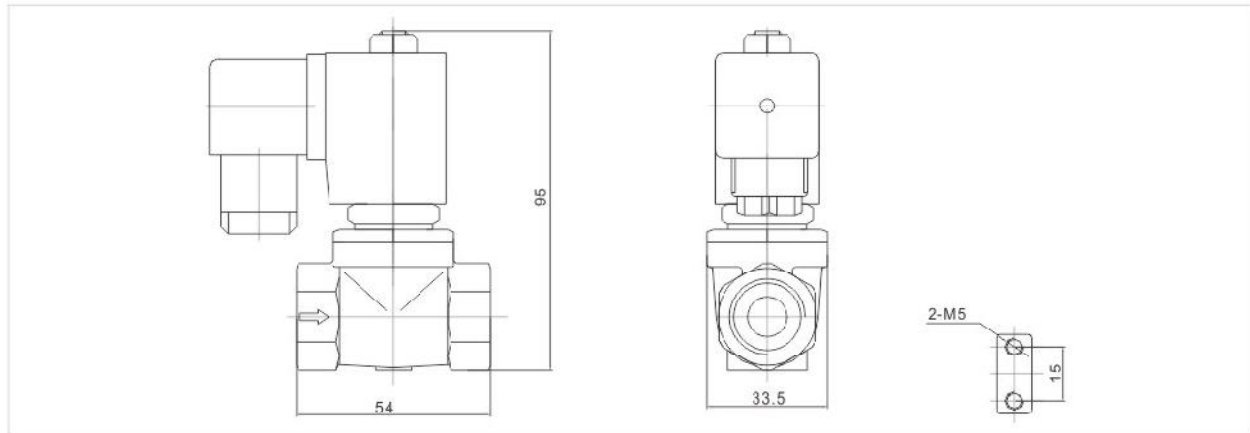
# Sanlixin Solenoid Valve

## SLP Small Series 2/2-way Direct Acting Solenoid Valve · Normally Closed

- 1: 2-Way normally closed solenoid valve, Closed when de-energized, open when energized.
- 2: Serialized products, small in size, large flow rate, widely use
- 3: Body material: forged brass. Orifice:  $\phi 10.5\text{mm}$ .
- 4: Ambient Temp.  $0^{\circ}\text{C}\sim 65^{\circ}\text{C}$ , Fluids Temp:  $0^{\circ}\text{C}\sim 130^{\circ}\text{C}$ .
- 5: Flow as the arrow, mounts in any position; Best position is solenoid vertical and upright direction.
- 6: Voltage: 220VAC/230VAC/240VAC/110VAC/24VAC 50/60HZ 24VDC/12VDC;  
Voltage Tolerance: +10% to -10% applicable voltage
- 7: This series valves are offered NBR、VITON、EPDM etc  
For Seals and diaphragm to provide on-off control of various fluids.
- 8: Coil can fix SM Coil. AC 220V/AC110V/AC24V/DC24V



### Construction, External Dimensions Chart



### Valve Selection List

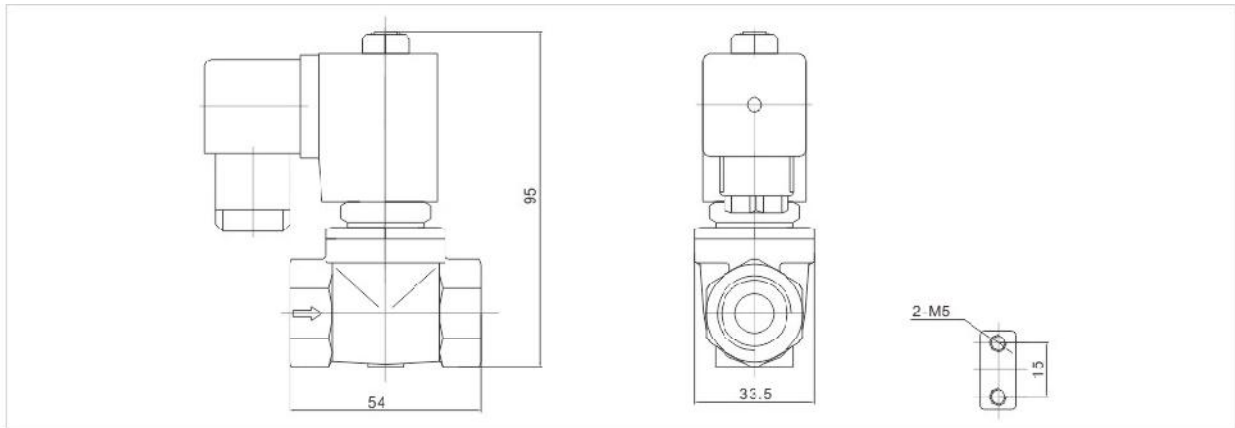
Pipe Conn- ection	Orifice mm	CV Factor	Operating pressure differential ( kgf/cm <sup>2</sup> )								Max. Temp. °C	Coil Type	consumption		Coil Class	Model Code Follows Voltage are 220VAC	Weight (KG)
			Min.	Max.						VA 220V			W 24V				
				Air Gas		Water Hot water		Light oil									
				AC	DC	AC	DC	AC	DC								
1/4"	10.5	1.47	0	16	10	16	10	13	10	80	D	22	13	F	SLP1DF02N1B10	0.51	
	10.5	1.47	0	16	10	16	10			130	D	22	13	F	SLP1DF02E1B10	0.51	
	10.5	1.47	0	16	10	16	10	13	10	120	D	22	13	F	SLP1DF02V1B10	0.51	
3/8"	10.5	1.68	0	16	10	16	10	13	10	80	D	22	13	F	SLP1DF02N1C10	0.49	
	10.5	1.68	0	16	10	16	10			130	D	22	13	F	SLP1DF02E1C10	0.49	
	10.5	1.68	0	16	10	16	10	13	10	120	D	22	13	F	SLP1DF02V1C10	0.49	
1/2"	10.5	1.75	0	16	10	16	10	13	10	80	D	22	13	F	SLP1DF02N1D10	0.46	
	10.5	1.75	0	16	10	16	10			130	D	22	13	F	SLP1DF02E1D10	0.46	
	10.5	1.75	0	16	10	16	10	13	10	120	D	22	13	F	SLP1DF02V1D10	0.46	

# SLP Small Series 2/2-way Direct Acting Solenoid Valve · Normally Closed

1. 2-Way Normally closed solenoid valve, closed when de-energized, open when energized.
2. Serialized products, small in size, large flow rate, widely use
3. Body material: SS316 Orifice:  $\Phi 8\text{mm}$
4. Ambient Temp  $0^{\circ}\text{C}\sim 65^{\circ}\text{C}$  Fluids Temp.:  $0^{\circ}\text{C}\sim 130^{\circ}\text{C}$
5. Flows as the arrow, mounts in any position; best position is solenoid valve vertical and upright direction.
6. Voltage: AC24V/110V/220V/230V/240V 50/60HZ  
DC24V/12V Voltage Tolerance:  $+10\%\sim -10\%$  applicable voltage
7. This series valves are offered NBR, VITON, EPDM Etc, For seals and diaphragm to provide on/off control of various fluids.
8. Coil can fix SM Coil. AC 220V/AC110V/AC24V/DC24V



## Construction & External Dimensions Chart



## Valve Selection List

Pipe Connection	Orifice mm	CV Factor	Min.	Operating pressure differential ( kgf/cm <sup>2</sup> )						Max. Temp. °C	Coil Type	consumption		Coil Class	Model Code Follows Voltage 220VAC	Weight (KG)
				Max.								VA	W			
				Air Gas		Water Hot water		Light oil								
				AC	DC	AC	DC	AC	DC							
1/4"	9	1.2	0	16	10	16	10	13	10	80	D	22	13	F	SLP1DF02N3B10	0.51
	9	1.2	0	16	10	16	10			130	D	22	13	F	SLP1DF02E3B10	0.51
	9	1.2	0	16	10	16	10	13	10	120	D	22	13	F	SLP1DF02V3B10	0.51
3/8"	9	1.2	0	16	10	16	10	13	10	80	D	22	13	F	SLP1DF02N3C10	0.49
	9	1.2	0	16	10	16	10			130	D	22	13	F	SLP1DF02E3C10	0.49
	9	1.2	0	16	10	16	10	13	10	120	D	22	13	F	SLP1DF02V3C10	0.49
1/2"	9	1.2	0	16	10	16	10	13	10	80	D	22	13	F	SLP1DF02N3D10	0.46
	9	1.2	0	16	10	16	10			130	D	22	13	F	SLP1DF02E3D10	0.46
	9	1.2	0	16	10	16	10	13	10	120	D	22	13	F	SLP1DF02V3D10	0.46