

SLW 2/2-way Direct Acting Small Type Solenoid Valve · Normally Closed

- SLW series normally closed
- Closed when de-energized open , open when energized
- Body material: brass or stainless steel
- Response time: 6-20ms
- Seals: NBR or VITON or EPDM(100 °C (temp)
- Media: pure water, air .
- Max working pressure: 30 bar
- Fluid temp: 0-100 °C ambient temp: 10~+40° c
- Voltage : ac220v 110v 24v 50/60hz dc24v 12v
- Power consumption: c 6.8va (hold) dc 5w
- Coil class: class b 130° c ed100%
- Lead wire coil, coil length:30 cm
- Flow as the arrow, mounts in any position; best position is solenoid vertical and Upright direction. Fixed hole on the bottom 2-m4



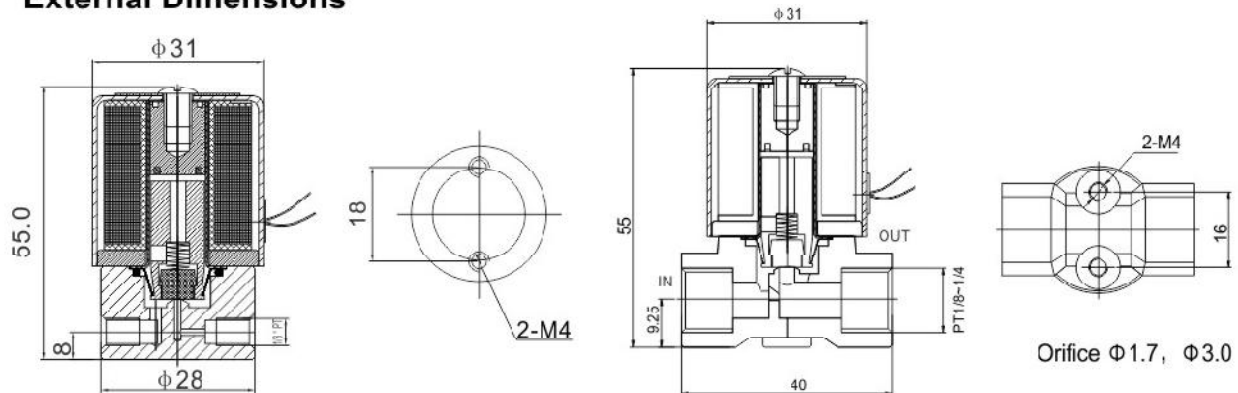
Specification

Pipe size	orifice mm	CV rate	Pressure bar		Temp °C	Model code Voltage 220vac		Weight (KG)
			Min	max Water air		Barss	S.S.	
1/8"	1.2	0.05	0	30	80	SLW1WB02N9AC1	SLW1WB02N5AC1	0.21
	1.5	0.08	0	21	80	SLW1WB02N9AC2	SLW1WB02N5AC2	0.21
	2.0	0.14	0	16	80	SLW1WB02N9A02	SLW1WB02N5A02	0.21
	2.5	0.23	0	8	80	SLW1WB02N9AC3	SLW1WB02N5AC3	0.21
	3.0	0.3	0	6	80	SLW1WB02N9A03	SLW1WB02N5A03	0.21
M5	1.2	0.05	0	30	80	SLW1WB02N9MC1	SLW1WB02N5MC1	0.22
	1.5	0.08	0	21	80	SLW1WB02N9MC2	SLW1WB02N5MC2	0.22
	2.0	0.14	0	16	80	SLW1WB02N9M02	SLW1WB02N5M02	0.22

Solenoid Valves Model Numbering System for Order

	1	2	3	4	5	6	7	8	9	10
	Valve Series	Mode of Operation	Coil Type	Coil Class	voltage	Seal Material	Body Material	Pipe Size	Orifice (mm)	Options
E.G.	SLW	1	W	B	02	N	9	A	02	<input type="checkbox"/>
		1= Normally closed	W: metallic housing Lead wires	B: B Class	02=220VAC 01=110VAC 05=24VAC 13=DC24V 12=DC12V	N=NBR E=EPDM V=VITON	9= brass 5=S.S. 1= Froged brass	A=1/8" M=M5 A=1/8" B=1/4"	C1=1.2 C2=1.5 C3=2.5 C3=3.0	N=NPT Connection

External Dimensions



Sanlixin Solenoid Valve

SLW 2/2-way Direct Acting Small Type Solenoid Valve · Normally Closed

- SLW series 2/2-way solenoid valve, closed when de-energized, open when energized.
- Serialized products, small size, large flow rate.
- Body material: brass / stainless steel
- Open & closed response time: 6~20ms
- Seal material: NBR(standard) EPDM(100°C)
- Media: clean water, air
- Operating pressure: max 13kgf/cm²
- Media temp.: 0~80°C ambier temp.: -10°C~+40°C
- Voltage: ac220v 110v 24v 50/60hz dc24v 12v voltage tolerance: -10%~+10%
- Power consumption: ac 6.8va(holding) dc 5w
- Heat resistant: class b 130 ed 100% lead wires coil (w). lead wires length: 30cm(changeable)
- Install: flow as the raw, mounst in any position, best position is solenoid vertical and upright direction. Bottom install fixed hole: 2-m3 x 6



0.16kg

Solenoid Valve Numbering System for Order

	1	2	3	4	5	6	7	8	9	10
	Valve Series	Mode of Operation	Coil Type	Coils Class	Voltage	Seal Material	Body Material	Pipe Size	Orifice mm	Operating pressure kgf/cm ²
E.G.	SLW	1	W	B	02	N	1	Y	02	
		I= Normally Closed	W: Metallic Housing Lead Wires	B: B Class	02=220VAC 01=110VAC 13=DC24V 12=DC12V	N=NBR E=EPDM	I=Brass	tube plug-type see picture	C2=1.5 02=2.0 C3=2.5 03=3.0	17 13 8 6

External Dimensions Chart

