

ZQDF General Use Series Solenoid Valve · Normally Closed

Technical parameters

1	Max operation pressure: 8bar
2	Working pressure: 0-8bar
3	Fluid media: fluid, air, steam, and light oil
4	Fluid temp: ≤180°C
5	Voltage: AC:380V;220V 36V/50Hz DC:24V
6	Coil class: class B
7	Voltage tolerance -15% to +10%
8	Power consumption: 50w
9	Response time: open ≤2sec, closed ≤3sec
10	Mounting position: flow as arrow, solenoid vertical and upright direction. Pure fluids.

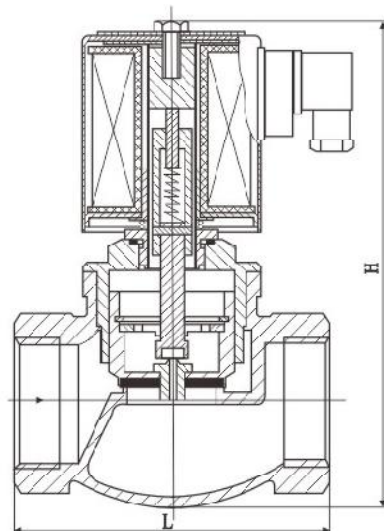


Parameters

Model code	L (mm)	H (mm)	Pipe size (Female)	Body Material:	Weight(KG)
ZQDF-15B	86	178	G 1/2"	SS304	2.6
ZQDF-20B	94	180	G 3/4"		2.7
ZQDF-25B	105	190	G 1"		3.8
ZQDF-32B	115	210	G 1 1/4"		4.2
ZQDF-40B	130	223	G 1 1/2"		4.6
ZQDF-50B	150	228	G 2"		5.7

TEFLON NOTE: standard Teflon, pls advise if you want viton

Construction, external dimension chart



Sanlixin Solenoid Valve

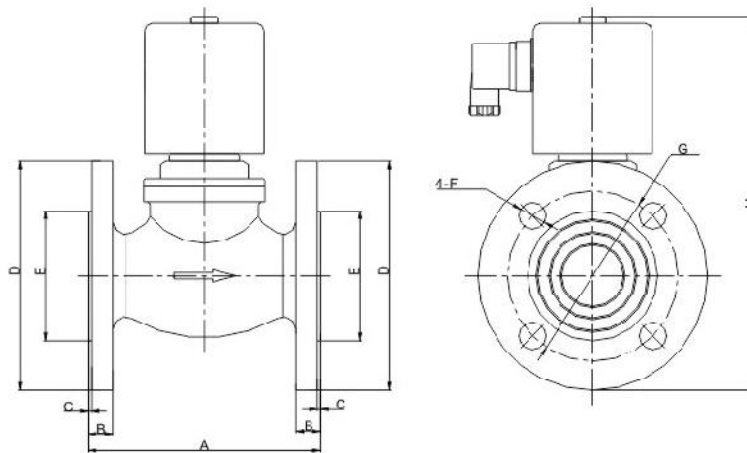
ZQDF General Use Series Solenoid Valve · Normally Closed

Technical parameters

1. Body Material: Brass SS304
2. Working Pressure: 0-8bar
3. Media: Liquid, gas, steam. OI<20CST
4. Voltage: AC380V 220V 36V/50HZ DC24V etc.
5. Class of insulation: Class B
6. Power: 50W
7. Tolerance for the power supply: -15% ~+10%
8. Mounting position: flow as arrow, solenoid vertical and upright direction,
9. If you want the SS304 body, the model for example : ZQDF-25BF



External Dimension



Model	A	B	C	D	E	F	G	H	Weight(KG)
ZQDF-20F	110	12	2	102	56	4-14	75	215	5.2
ZQDF-25F	110	12	2	115	65	4-14	85	215	5.4
ZQDF-32F	126	16	2	140	78	4-18	100	245	5.9
ZQDF-40F	150	16	2	148	84	4-18	110	253	8.5
ZQDF-50F	160	16	2	165	102	4-18	125	268	9.8

