

# SLP Compact Series 2/2-Way Solenoid Valve

## Solenoid Valves Numbering System for Order

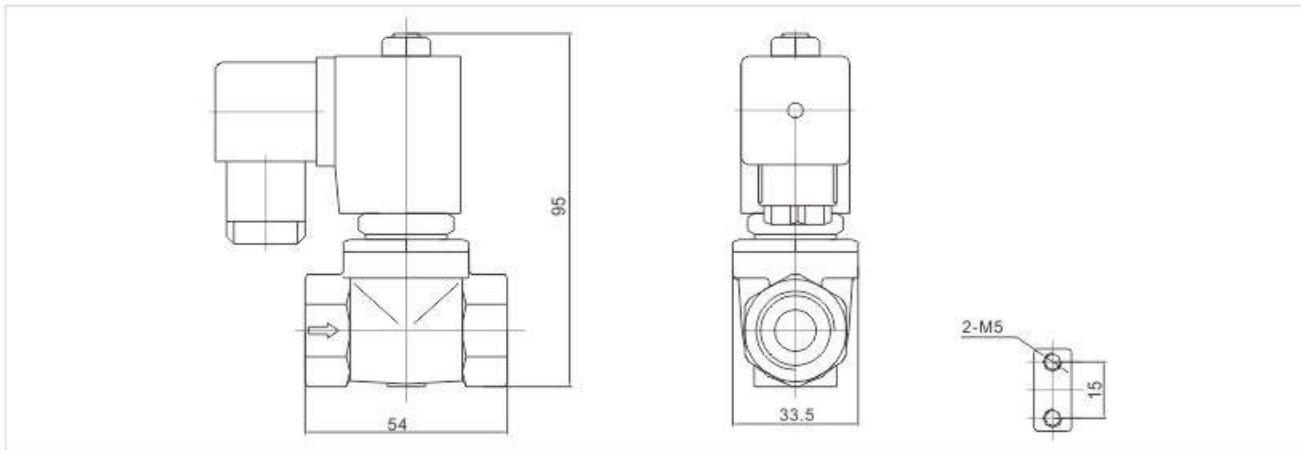
Position description	1	2	3	4	5	6	7	8	9	10
	Valve Series	Mode of Operation	Coil Type	Coil Class	Voltage	Seal Material	Body Material	Pipe Size	Orifice (mm)	Options
E.G.	<b>SLP</b>	<b>1</b>	<b>D</b>	<b>F</b>	<b>02</b>	<b>N</b>	<b>1</b>	<b>E</b>	<b>20</b>	<input type="checkbox"/>
	SLP Series	1: Normally Closed  2: Normally Open	D: DIN Standard Connections, Fully Encapsulated  N: Lead Wires, Water-tight, Fully Encapsulated  X: Explosion-proof  S: NASS Coil  M: SM Coil	F:F Class  H:H Class	02= AC220V AC230V  01= AC110V AC120V  05= AC24V  12= DC12V  13= DC24V  Contact the Factory for Others	N: NBR  V: VITON  E: EPDM	1= Forged Brass  3= SS316  7= Plastic  9= Forged Braaa  5= Stainless Steel	A=1/8" B=1/4"  B=1/4"  C=3/8"  C=3/8" D=1/2"  E=3/4" G=1" H=1 1/4" J=1 1/2" K=2"  F= Flange Connection  A=1/8" B=1/4"	03=3.0 05=5.0 06=6.0  10=10.0 C9=10.5  03=3.0 04=4.0  05=5.0 06=6.0 10=10.0 C9=10.5 13=13.0  20=20.0 25=25.0 35=35.0 40=40.0 50=50.0  25=25.0 35=35.0 40=40.0 50=50.0  01=1.0 C2=1.5 C3=2.5 03=3.0 04=4.0	M= Manual Override  L= Neon lamp  K= Mounting Bracket  N= NPT thread

# SLP Small Series 2/2-way Direct Acting Solenoid Valve · Normally Closed

- 1: 2-Way normally closed solenoid valve, Closed when de-energized, open when energized.
- 2: Serialized products, small in size, large flow rate, widely use
- 3: Body material: forged brass. Orifice:  $\phi$  10.5mm.
- 4: Ambient Temp. 0°C~65°C, Fluids Temp: 0°C~130°C .
- 5: Flow as the arrow, mounts in any position; Best position is solenoid vertical and upright direction.
- 6: Voltage: 220VAC/230VAC/240VAC/110VAC/24VAC 50/60HZ 24VDC/12VDC;  
Voltage Tolerance: +10% to -10% applicable voltage
- 7: This series valves are offered NBR, VITON, EPDM etc  
For Seals and diaphragm to provide on-off control of various fluids.
- 8: Coil can fix SM Coil. AC 220V/AC110V/AC24V/DC24V



## Construction, External Dimensions Chart



## Valve Selection List

Pipe Conn- ection	Orifice  mm	CV  Factor	Operating pressure differential ( kgf/cm <sup>2</sup> )						Max. Temp. °C	Coil Type	consumption		Coil Class	Model Code Follows Voltage are 220VAC	Weight (KG)	
			Min.	Max.							VA AC 220V	W DC 24V				
				Air Gas		Water Hot water		Light oil								
				AC	DC	AC	DC	AC								DC
1/4"	10.5	1.47	0	16	10	16	10	13	10	80	D	22	13	F	SLP1DF02N1B10	0.51
	10.5	1.47	0	16	10	16	10			130	D	22	13	F	SLP1DF02E1B10	0.51
	10.5	1.47	0	16	10	16	10	13	10	120	D	22	13	F	SLP1DF02V1B10	0.51
3/8"	10.5	1.68	0	16	10	16	10	13	10	80	D	22	13	F	SLP1DF02N1C10	0.49
	10.5	1.68	0	16	10	16	10			130	D	22	13	F	SLP1DF02E1C10	0.49
	10.5	1.68	0	16	10	16	10	13	10	120	D	22	13	F	SLP1DF02V1C10	0.49
1/2"	10.5	1.75	0	16	10	16	10	13	10	80	D	22	13	F	SLP1DF02N1D10	0.46
	10.5	1.75	0	16	10	16	10			130	D	22	13	F	SLP1DF02E1D10	0.46
	10.5	1.75	0	16	10	16	10	13	10	120	D	22	13	F	SLP1DF02V1D10	0.46